



LED module with integrated LED 24-240 V AC/DC, red, screw terminal, for front plate mounting, Z=50-unit packaging

| | |
|---|------------------------------------|
| product brand name | SIRIUS ACT |
| product designation | LED module |
| product type designation | 3SU1 |
| General technical data | |
| product component | |
| • diode | Yes |
| • lamp transformer | No |
| • light source | Yes |
| • series resistor | No |
| insulation voltage rated value | 320 V |
| degree of pollution | 3 |
| type of voltage of the operating voltage | AC/DC |
| • for actuation | AC/DC |
| surge voltage resistance rated value | 4 kV |
| consumed current maximum | 20 mA |
| protection class IP | |
| • of the enclosure | IP40 |
| • of the terminal | IP20 |
| shock resistance | |
| • according to IEC 60068-2-27 | sinusoidal half-wave 15g / 11 ms |
| • for railway applications according to EN 61373 | Category 1, Class B |
| vibration resistance | |
| • according to IEC 60068-2-6 | 10 ... 500 Hz: 5g |
| • for railway applications according to EN 61373 | Category 1, Class B |
| operating period typical | 100 000 h |
| reference code according to IEC 81346-2 | P |
| Substance Prohibitance (Date) | 03/01/2017 |
| operating voltage | |
| • at AC | |
| — at 50 Hz rated value | 24 ... 240 V |
| — at 60 Hz rated value | 24 ... 240 V |
| • at DC rated value | 24 ... 240 V |
| relative positive tolerance of the operating voltage | 20 % |
| relative negative tolerance of the operating voltage | 20 % |
| Control circuit/ Control | |
| inrush current maximum | 3 A |
| Connections/ Terminals | |
| type of electrical connection | screw-type terminals |
| type of connectable conductor cross-sections | |
| • solid with core end processing | 2x (0.5 ... 0.75 mm ²) |

| | |
|--|---|
| <ul style="list-style-type: none"> • solid without core end processing • finely stranded with core end processing • finely stranded without core end processing • for AWG cables | 2x (1.0 ... 1.5 mm ²) 2x (0.5 ... 1.5 mm ²) 2x (1,0 ... 1,5 mm ²) 2x (18 ... 14) |
| tightening torque with screw-type terminals | 0.8 ... 0.9 N·m |

Lamp

| | |
|---|-------------------|
| type of light source | LED |
| color of the light source | red |
| light intensity | 450 ... 1 120 mcd |
| certificate of suitability | |
| <ul style="list-style-type: none"> • ATEX • IECEx | No No |

Ambient conditions

| | |
|--|--|
| ambient temperature | |
| <ul style="list-style-type: none"> • during operation • during storage | -25 ... +70 °C -40 ... +80 °C |
| environmental category during operation according to IEC 60721 | 3M6, 3S2, 3B2, 3C3, 3K6 (with relative air humidity of 10 ... 95%, no condensation in operation permitted) |

Installation/ mounting/ dimensions

| | |
|--|----------------------|
| fastening method | |
| <ul style="list-style-type: none"> • of modules and accessories | Front plate mounting |
| height | 33.2 mm |
| width | 9.8 mm |
| depth | 29.4 mm |
| suitability for integration | |
| <ul style="list-style-type: none"> • plastic enclosure • metal enclosure | Yes Yes |

Certificates/ approvals

Further information

Siemens has decided to exit the Russian market (see here).

<https://press.siemens.com/global/en/pressrelease/siemens-wind-down-russian-business>

Siemens is working on the renewal of the current EAC certificates.

Please contact your local Siemens office on the status of validity of the EAC certification if you intend to import or offer to supply these products to an EAC relevant market (other than the sanctioned EAEU member states Russia or Belarus).

Information on the packaging

<https://support.industry.siemens.com/cs/ww/en/view/109813875>

Information- and Downloadcenter (Catalogs, Brochures,...)

<https://www.siemens.com/ic10>

Industry Mall (Online ordering system)

<https://mall.industry.siemens.com/mall/en/en/Catalog/product?mlfb=3SU1401-1BH20-1AA0-Z X90>

Cax online generator

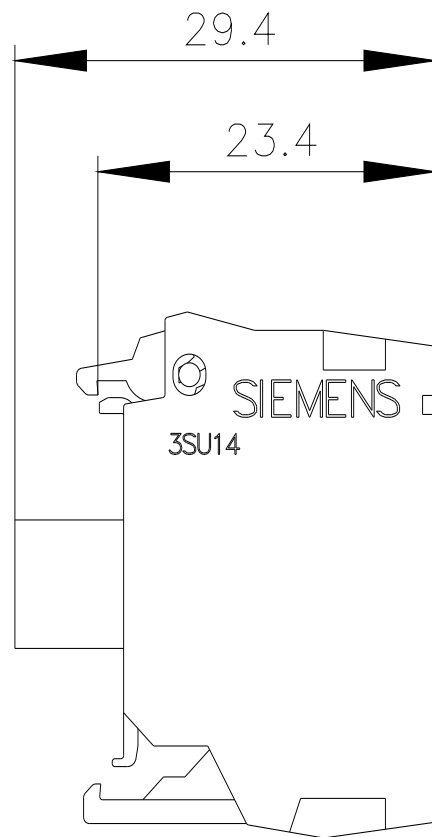
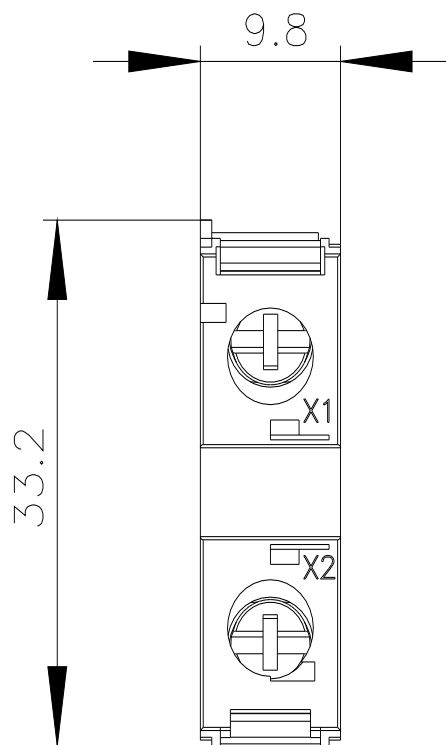
<http://support.automation.siemens.com/WW/CAXorder/default.aspx?lang=en&mlfb=3SU1401-1BH20-1AA0-Z X90>

Service&Support (Manuals, Certificates, Characteristics, FAQs,...)

<https://support.industry.siemens.com/cs/ww/en/ps/3SU1401-1BH20-1AA0-Z X90>

Image database (product images, 2D dimension drawings, 3D models, device circuit diagrams, EPLAN macros, ...)

http://www.automation.siemens.com/bilddb/cax_de.aspx?mlfb=3SU1401-1BH20-1AA0-Z X90&lang=en



-P
24-240 V AC/DC

