

# Modulostar® CUSCC

## FUSE HOLDERS, FUSE BASES AND SUPPORTS

### UL/CSA FUSE HOLDERS



The innovative and comprehensive Modulostar® range of Mersen fuse-holders.

Modular fuse-holders are finger-safe under IEC standards to an IP20 grade of protection, including fuse changing (with the flick of a finger). Modular fuse-holders CUSCC are available in 1, 2, 3 or 4 poles, with or without visual blown fuse indicator.

Multi-pole units can also be field assembled by ordering pin-ties assembly kit.

Modulostar® range is made of tough and durable thermoplastic material.

They are especially recommended to be used in combination with Mersen fuse-links class CC, type: ATDR, ATMR and ATQR.

### TECHNICAL DATA OVERVIEW

UL ratings AC	600 VAC, 30 A, 200 kA
UL ratings DC	600 VDC, 30 A, 100 kA
Amper (A)	30 A
SCCR	200kA AC
Mounting	Installation on to DIN rails to EN 60715
Product Size	For Class CC fuses
Number of poles	1-pole, 2-poles, 3-poles, 4-poles, 1+N, 3+N

### FEATURES & BENEFITS

- Modular design
- Compact design for space saving
- DIN rail mounting
- Degree of protection: IP20
- Finger safe
- Easy access to the fuse
- Lockable without accessory
- Sealable in closed & open position
- Optional visual blown fuse indicator
- Multi-pole assembly kit available
- Plastic material UL94V2 mini
- Plastic material R22HL2 for railway application
- Flame retardant materials with glow wire flammability index to 960°C

### APPLICATIONS

- All circuits up to 600V for protection of motors, transformers, low voltage distribution, control circuits, drive protection
- Non-load operation

### STANDARDS

- UL listed UL4248
- CSA Certified C22.2
- RoHS, Reach compliant



MERSEN reserves the right to change, update or correct, without notice, any information contained in this datasheet.

## PRODUCT RANGE



CUSCC1

### Modulostar™ CUSCC without indicator

Catalog number	Item number	Number of poles/phases	Design	Package	Weight
CUSCC1	N1062796	1	CUSCC single pole	12	70 g
CUSCC1N	J1062792	1 + N	CUSCC single pole + neutral conductor	6	0.13 kg
CUSCC2	K1062793	2	CUSCC double pole	6	0.12 kg
CUSCC3	G1062790	3	CUSCC triple pole	4	0.2 kg
CUSCC3N	C1062786	3 + N	CUSCC triple pole + neutral conductor	3	0.25 kg
CUSCC4	D1062787	4	CUSCC quadruple pole	3	0.24 kg



CUSCC1I

### Modulostar™ CUSCC with standard indicator

Catalog number	Item number	Number of poles/phases	Design	Voltage limit for blown fuse indicator	Package	Weight
CUSCC1I	P1062797	1	CUSCC single pole	-	12	70 g
CUSCC1NI	L1062794	1 + N	CUSCC single pole + neutral conductor	-	6	0.13 kg
CUSCC2I	M1062795	2	CUSCC double pole	-	6	0.13 kg
CUSCC3I	H1062791	3	CUSCC triple pole	-	4	0.2 kg
CUSCC3NI	E1062788	3 + N	CUSCC triple pole + neutral conductor	-	3	0.25 kg
CUSCC4I	F1062789	4	CUSCC quadruple pole	-	3	0.24 kg
-	on demand	-	Version with special indicator	Standard: 220V-700V AC/DC Very low: 20V-50V AC/DC Low: 50V-250V AC/DC	-	-

## TECHNICAL DATA

	CUSCC without indicator	CUSCC with indicator
Size	Class CC fuse-links	Class CC fuse-links
Number of poles/phases	1, 1+N, 2, 3, 3+N, 4	1, 1+N, 2, 3, 3+N, 4
Conventional free air thermal current with fuse links $I_{th}$	30 A	30 A
Degree of protection	IP 20	IP 20
Voltage limit for blown fuse indicator	-	220 to 700V AC/DC
Indication System	without indicator	with indicator
Operating temperature	-40°C to 70°C with carrier operation -50°C to 90°C without carrier operation	-40°C to 70°C with carrier operation -50°C to 90°C without carrier operation
Storage temperature	-40°C to 70°C	-40°C to 70°C
Connection	Max. tightening torque: 2Nm (17.7lbs.-in) Rigid / Multistrand wire = 1-16mm <sup>2</sup> (16-6AWG) Max. 2x6mm <sup>2</sup> PZ2 or flat 5.5x1mm screw drivers recommended (max. diameter 6mm)	Max. tightening torque: 2Nm (17.7lbs.-in) Rigid / Multistrand wire = 1-16mm <sup>2</sup> (16-6AWG) Max. 2x6mm <sup>2</sup> PZ2 or flat 5.5x1mm screw drivers recommended (max. diameter 6mm)

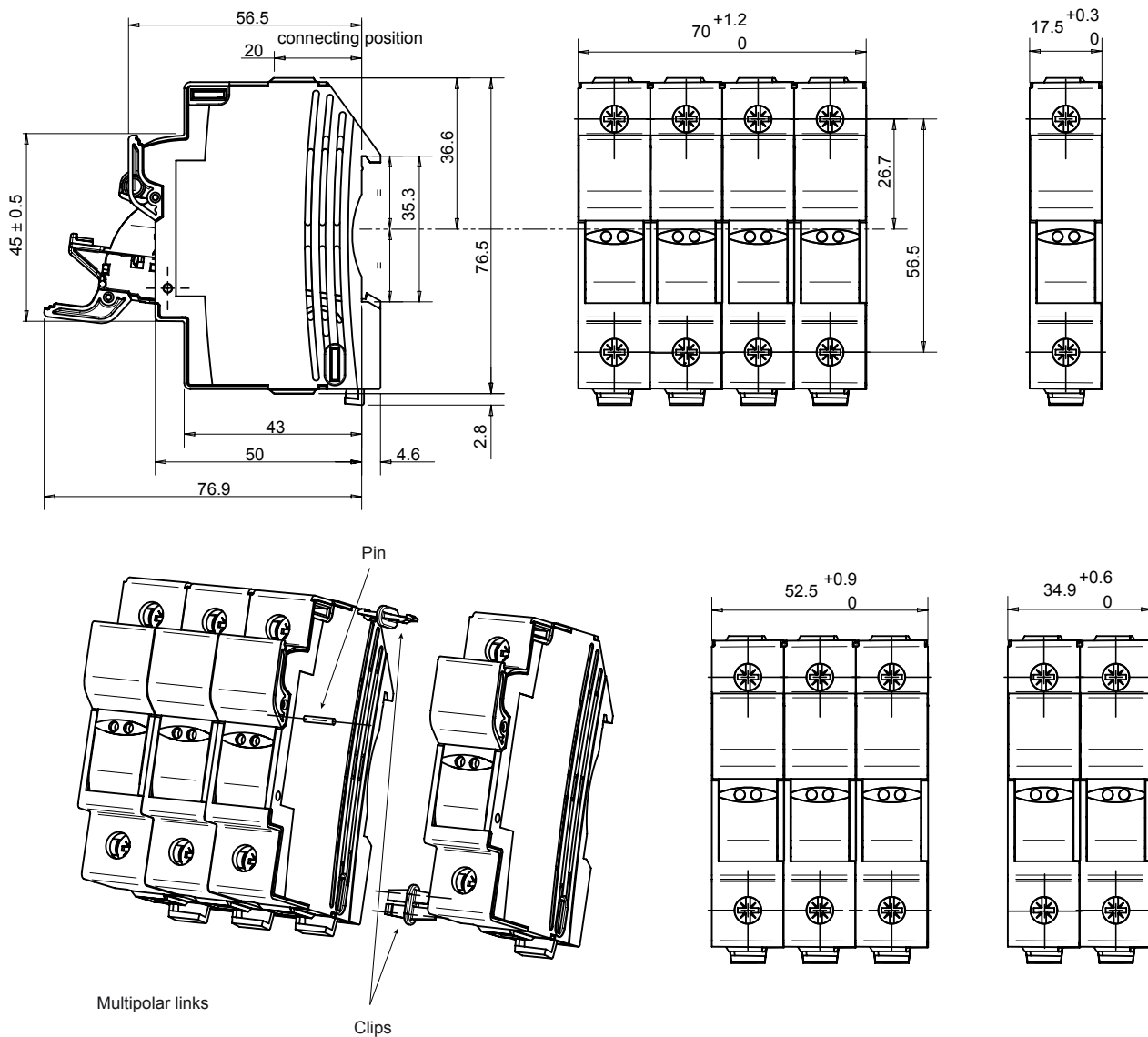
## SPECIFIC USAGE CONDITIONS

Ambient temperature	-40° to 20°C	30°C	40°C	50°C	60°C	70°C	80°C	90°C
Derating factor (I <sub>e</sub> )	1	1	1	0.92	0.83	0.73	0.62	0.48
Humidity	95%	90%	80%	50%	-	-	-	-
Dampness derating	1	0.95	0.90	-	-	-	-	-

No of poles (side by side)	1 to 3	>= 4
Derating factor of current (I <sub>th</sub> )	1	0.9

## DIMENSIONS

### MODULOSTAR® CUSCC fuse-holders for cylindrical fuse-links class 10x38mm



Dimensions in mm

## ACCESSORIES



CMS810PAK

### Kit for multi phase connection

Catalog number	Item number	Features	Package	Weight
CMS810PAK	Z233725	Links for connection of multipole units	12	0.5 g



LOCK

### Locking devices

Catalog number	Item number	Features	Package	Weight
LOCK	M223525	Padlock	1	0.48 kg