

## Han PE module male crimp 10qmm

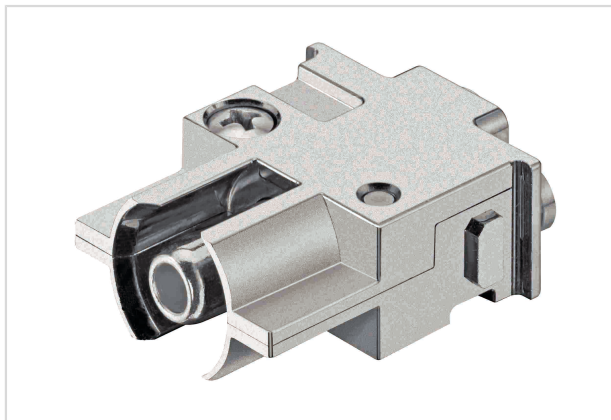


Image is for illustration purposes only. Please refer to product description.

Part number	09 14 001 3071
Specification	Han PE module male crimp 10qmm
HARTING eCatalogue	<a href="https://b2b.harting.com/09140013071">https://b2b.harting.com/09140013071</a>

### Identification

Category	Modules
Series	Han-Modular®
Type of module	Han® PE module

### Version

Termination method	Crimp termination
Gender	Male
Number of contacts	1
Pack contents	2 PE module halves 1 contact pressure plate 1 crimp contact

### Technical characteristics

Conductor cross-section	10 mm <sup>2</sup>
Contact resistance	≤0.3 mΩ
Stripping length	19 mm
Tightening torque	2 Nm
Limiting temperature	-40 ... +125 °C
Mating cycles	≥500

### Material properties

Material (insert)	Zinc die-cast, nickel-plated
Material (contacts)	Copper alloy



Pushing Performance

## Material properties

Surface (contacts)	Silver plated
--------------------	---------------

## Specifications and approvals

Specifications	IEC 61984
UL / CSA	UL 1977 ECBT2.E235076 CSA-C22.2 No. 182.3 ECBT8.E235076

## Commercial data

Packaging size	1
Net weight	74 g
Country of origin	Germany
European customs tariff number	85366990
eCl@ss	27440217 Module for industrial connectors (power/signals)