

PLEASE CHECK WWW.MOLEX.COM FOR LATEST PART INFORMATION

Part Number: [0395382018](#)
Status: **Active**
Overview: Eurostyle Terminal Blocks
Description: 5.08mm Pitch Eurostyle Vertical Dual Level PCB Header, Open Ends, 18 Circuits

Documents:

3D Model	Drawing (PDF)
3D Model (PDF)	RoHS Certificate of Compliance (PDF)

General

Product Family	Terminal Blocks
Series	39538
Application	N/A
Component Type	PCB Header
Overview	Eurostyle Terminal Blocks
Product Name	ESE, Eurostyle Pluggable
Type	Euro Block
UPC	822350829755

Physical

Circuits (Loaded)	18
Entry Angle	N/A
Lock to Mating Part	Yes
Number of Rows	2
Orientation	Vertical
PC Tail Length	3.50mm
PCB Thickness - Recommended	3.00mm
Panel Mount	No
Pitch - Mating Interface	5.08mm
Pitch - Termination Interface	5.08mm
Polarized to Mating Part	Yes
Shrouded	Open Ends
Stackable	Yes
Surface Mount Compatible (SMC)	N/A
Temperature Range - Operating	-40° to +105°C
Wire Size AWG	N/A

Electrical

Current - Maximum per Contact	15.0A
Voltage - Maximum	300V

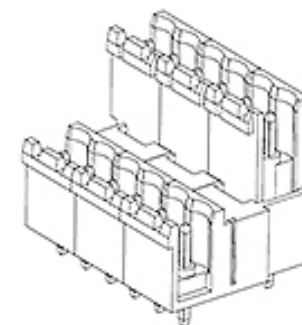
Solder Process Data

Lead-freeProcess Capability	N/A
-----------------------------	-----

Material Info

Reference - Drawing Numbers

Sales Drawing	SD-39538-003-001
---------------	------------------



Series image - Reference only

EU ELV

Not Relevant

EU RoHS

Not Reviewed

REACH SVHC

Not Reviewed

Halogen-Free

Status

Not Reviewed

For more information, please visit [Contact US](#)

China ROHS

Not Reviewed

ELV

Not Relevant

RoHS Phthalates

Not Reviewed

Search Parts in this Series

[39538](#) Series

Mates With

[39530](#) Horizontal Plug, [39533](#) Vertical Plug, Most 5.08mm (.200") Pitch Industry Standard Plugs